



GENIE[®] 750

Direct Drive Probe[™]

The safest and most versatile membrane tip probes available on the market

Liquid carryover from the pipeline into the sample system should be prevented when sampling natural gas as it can directly impact the analysis and damage the analyzer. Industry standards state that the equipment used to remove the liquid from the sample must be operated at flowing temperature and pressure conditions. Genie[®] Probes[™] provide a means to insert Genie[®] Membrane Technology[™] directly into a pipeline for the purpose of separating unwanted liquid and particulate from the gas sample at flowing conditions.

The Model 750 is an adjustable length, membrane tip probe designed to sample transmission quality natural gas. It can be inserted and extracted from a pressurized line through a full opening valve without the use of a special insertion device. This probe is offered with optional coatings from Silcotek[™]. The Model 750 installation process is simple and straight forward. A low internal volume option is available for trace measurement applications or low sample flow rates.

A+ Corporation also offers a complete line of upstream and midstream gas and liquid sampling products. Contact the factory for more information.



Technical Specifications

Maximum Pressure Rating	NPT: 3,750 psig (258.6 barg)
Temperature Ranges	Type 6 membranes: -35°F (-37°C) to 185°F (85°C) *Type 7 membrane: Up to 300°F (149°C) <small>* Actual limit depends on sealing material chosen. Refer to Temperature Range Comparison Chart.</small>
Maximum Recommended Flow Rate <small>Results in approx. 2 PSI pressure differential. For higher flow rates, contact the factory.</small>	Type 6 Best Rejection: 1.6 LPM (3.4 CFH) (actual conditions) Type 7 Highest Temps: 3.4 LPM (7.1 CFH) (actual conditions)
Port Sizes	Outlet: 1/4" female NPT Low Volume Outlet: 1/16" female NPT Auxiliary: 1/8" female NPT (plugged from factory)
Probe Lengths <small>For other lengths contact the factory.</small>	L: 8", 12", 18", 24", 36", 48" <small>Refer to dimensions on back.</small>
Process Connection Requirements	3/4", 1" or 1.5" NPT full opening threaded or flanged valve <small>Ball, gate and double block and bleed valves are all suitable for use as long as their inner diameter is not less than 3/4". 1" NPT or larger process connection required for seal welding.</small>
Wetted Materials <small>For Silcotek[™] coatings, contact the factory.</small>	*Machined parts: 316/316L stainless steel / ISO 15156-3 compliant and Kevlar [®] threaded bushing All other metal parts: stainless steel / ISO 15156-3 compliant Sealing material: User defined Membrane: Inert <small>*Other materials available on request.</small>

Product Brief

Applications

- Continuous and composite gas sampling of transmission quality natural gas
- Sampling of various types of gases in the refinery & petrochemical industries
- Gas sampling of mixtures containing less than 30% hydrogen

Benefits

- Genie Membrane Technology
- Easy, quick, and safe insertion and extraction from pressurized systems without a special insertion device
- Velocity tested by CEESI flow lab up to 200 ft/sec
- API, GPA & ISO standard compliance

Features

- Unique, one piece body with Genie Membrane Technology
- Analytically Correct[™] design
- Adjustable length
- Antifriction internal thread die
- Optional speed wrench for faster installation
- Hex adapter with 1/4" female NPT outlet and integrated outlet shut-off valve



Model Numbering & Additional Part Numbers

Your model number is determined by your specific needs. Choose options below.

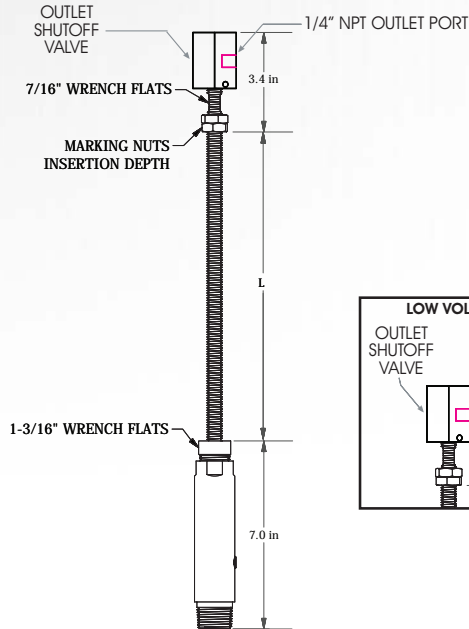
Sealing material	0 = Neoprene rubber	J = RGD resistant HNBR	(other materials available upon request)
Membrane type	6 = Better Rejection; Rejects ALL types of liquids from vapor 7 = Highest Temps; Rejects ONLY high surface tension liquids		
Process connection	3 = 3/4" NPT	4 = 1" NPT	6 = 1.5" NPT
Probe insertion length	8, 12, 18, 24, 36, 48 inches		
Sealing material replacement (Packing Gland)	Part # 75X-570 for PTFE/Neoprene rubber	Part # 75X-5J0 for RGD resistant HNBR	(sold separately)
Membrane replacement	Part # 75X-CMA-50_ (contains 1 complete assembly - sold separately)		
Speed wrench	Part # ACC-SW (sold separately)		
Optional gauge	Part # ACC-Q14KC (0-4,000 psig, sold separately)		

How to build the model number:

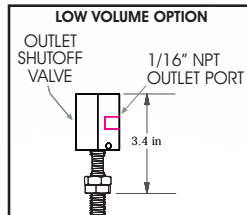
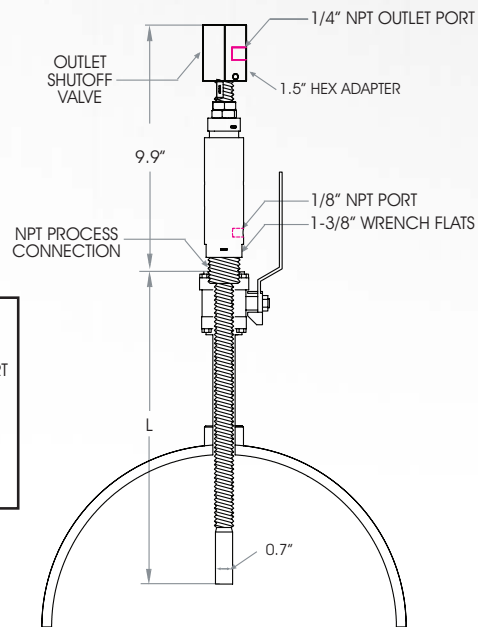


Dimensions

Uninstalled



Installed



Analytically Correct™ sample systems, sample conditioning components, and revolutionary gas and liquid sampling technology.



4, rue des Roses - 69280 SAINTE-CONSORCE - France
Tel: +33 478 878 945 - info@soclema.com - www.soclema.com