

# PROBE OUTLET MANIFOLD

## SOCMS

The probe outlet manifold **SOCMS** is specifically designed for gas sampling.

It consists of a pressure gauge, a ball valve and a relief valve. It is designed to thread directly into sampling probes with integrated pressure regulation or regulators. It provides a means to monitor regulator outlet pressure and block flow. This manifold complies with analysis standards with a straight-through sample flow path, a minimal dead volume and a low volume.


## Characteristics

- Minimal low volume and surface area
- Compact
- Compliant with analysis standard
- Pressure gauge with double scale (optional)
- Special setting of relief valve (possible)
- 3.1 & NACE certificates (optional)

## Benefits

- Monitors regulator outlet pressure
- Protects pressure gauge from overpressure
- Collectable relief valve
- Preserves sample integrity
- Improves safety of personnel

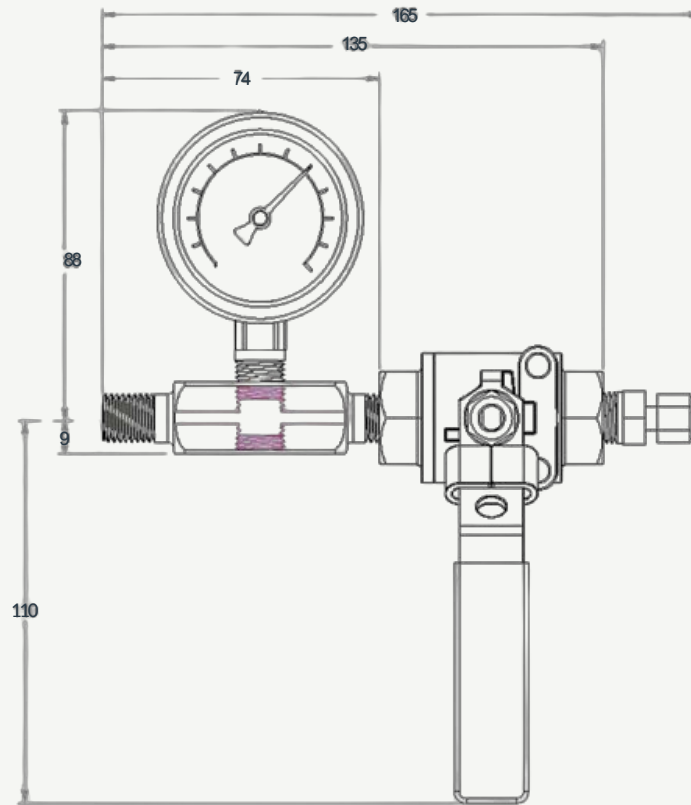


 Security manifold **SOCMS**

## Technical specifications

Maximum pressure rating	Dependant upon pressure gauge selected
Temperature range	From -20°C to 190°C
Outlet port size	Male NPT, 1/4" Female NPT, 1/8" O.D, 1/4" O.D or 6 mm O.D
Machined part material	Stainless steel
Ball valve seal material	PTFE
Relief valve seal material	Fluoroelastomer

# Dimensions



# To order

SOCMS - BG6 - 60 - 0 - SS

Security manifold

Gauge scale range

- BG0 : No gauge
- BG6 : From 0 to 6 barg
- BG10 : From 0 to 10 barg
- BG25 : From 0 to 25 barg

SS : Acier inoxydable 316

Relief valve setting

- 0 : No relief valve
- 25 : 25 psig (1,72 barg)
- 60 : 60 psig (4.14 Barg)
- 100 : 100 psig (6,89 barg)
- TAR3 : 3 to 50 psig (0.21 to 3.50 Barg)
- TAR50 : 50 to 150 psig (3.50 to 10.40 Barg)
- TAR150 : 150 to 350 psig (10.40 to 24.20 Barg)

Material

- SS : Stainless steel
- SN : Sulfinert treated stainless steel

Outlet port

- 0 - Male NPT (no ball valve)
- 1 - 1/4" Female NPT
- 2 - 1/8" O.D
- 4 - 1/4" O.D
- 6M - 6mm O.D