



The safest and most versatile probes available on the market!

The GPHV™ was designed sampling from high velocity gas streams. The probe is machined with thick walls and from a single piece of stainless steel. By design, the probe possesses a high natural resonant frequency and can withstand the destructive force of fluids flowing at high velocity. This model must be installed in a depressurized line. A Genie® 133 Probe Assembly option is available for gas sampling applications where a membrane tipped probe cannot be used. This simple assembly includes a Genie® Supreme Model 133 Membrane Separator™ mounted onto the outlet of a Genie® Model GPHV General Purpose Probe.

See Genie® 133 literature for details.

Technical Specifications

Maximum Pressure Rating	4,500 psig (310.3 barg)
Maximum Temperature	300 °F (149 °C)
Maximum Gas Velocity	4" probe: >100 ft/sec 10" probe: 56 ft/sec
Internal Volume	4" probe: 3.62 cc 10" probe: 8.44 cc
Port Size	Outlet: 1/4" female NPT
Process Connection	1/2" male NPT
Thread-o-let Requirement	The inner diameter of all openings in pipe wall and thread-o-let must not be less than 0.690".
Wetted Material	Machined part: 316/316L stainless steel / ISO 15156-3 compliant

Product Brief

Applications

- Extract a gas sample from a pipeline for use in an analyzer
 - On-line and portable analyzers
 - GC's, Mass Specs, O₂, H₂S, Moisture, and others
- Continuous gas sampling in any process industry including natural gas, petrochemical, and oil refining
- High velocity gas streams

Benefits

- Helps preserve sample integrity
- Helps improve safety of personnel and equipment
- Reliable
- Durable
- Economical

Features

- Simple design
- Single-piece, machined housing
 - no welding
- Vibration resistant



Model Numbering & Additional Part Numbers

Your model number is determined by your specific needs. Choose options below.

Process connection 0 = 1/2" NPT

Probe length Blank = 4" 10 = 10"

How to build the model number:

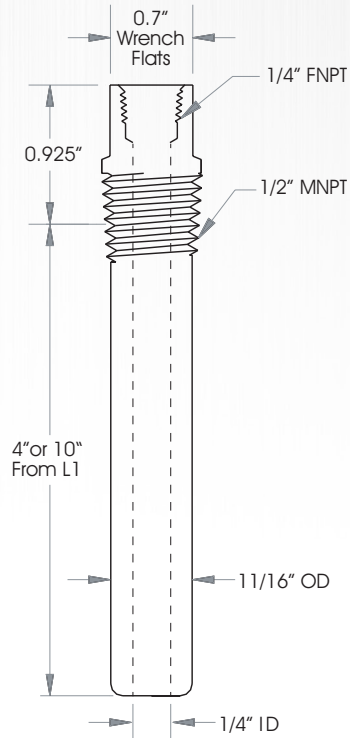


Process connection

Probe length

Dimensions

Side View



Analytically Correct™ sample systems, sample conditioning components, and revolutionary gas and liquid sampling technology.



4, rue des Roses - 69280 SAINTE-CONSORCE - France
Tel: +33 478 878 945 - info@soclema.com - www.soclema.com