



GENIE[®] 701

Portable Insertion Probe[™]



Extremely lightweight yet surprisingly rugged

Liquid in a sample conditioning system can damage analyzers and lead to inaccurate sample analysis; directly affecting the bottom line. Applying our Analytically Correct[™] designs to your sampling system can prevent these occurrences.

Our Genie[®] Model 701 Portable Insertion Probe is a simple, safe and economical solution to extract a representative vapor phase sample from a gas source. Our exclusive Pressure Balance[™] technique allows for effortless insertion of the probe without the need for additional tools or pneumatic and hydraulic methods. Inserting the probe is easily accomplished by simply turning the handle with fingertips. This probe's lightweight design makes it ideal for use as a spot or portable analyzer sample probe.

When using the Model 701 for spot sampling, our flow restrictor and Spot Sampling Manifold are recommended. The flow restrictor prevents liquid from being forced through the membrane as a result of excessive flow while the Spot Sampling Manifold provides an easy means to connect the cylinder to the probe and purge the sample path from probe tip to cylinder inlet valve.

We are the only manufacturer that provides Analytically Correct[™] membrane tipped sample probes for insertion inside a pipeline or vessel. Using a membrane tip conforms to API 14.1 and GPA 2166 standards. Our patented Genie[®] Membrane Probes[™] are the most efficient means for separating entrained liquid from the sample at source conditions.

Technical Specifications

Maximum Pressure Rating	3,000 psig (206.8 barg)
Temperature Ranges	Type 6 membranes: -35°F (-37°C) to 185°F (85°C) Actual limit depends on sealing material chosen. Refer to Temperature Range Comparison Chart.
Port Size	Outlet: 1/4" female NPT
Insertion Depth	L: Adjustable up to 11" (279 mm)
Process Connection Requirement	1/2" NPT full opening threaded valve Ball, gate and double block and bleed valves are all suitable for use as long as their inner diameter is not less than 1/2".
Wetted Materials	Machined parts: 316/316L stainless steel / ISO 15156-3 compliant All other metal parts: stainless steel / ISO 15156-3 compliant Sealing material: User defined Membrane: Inert

Product Brief

Applications

- Spot sampling with a portable analyzer or manual collection in a sample container in any process industry including natural gas, petrochemical, and oil refining
- Gas sampling of mixtures containing less than 30% hydrogen

Benefits

- Rejects entrained liquid in the source
 - Preserves sample integrity
 - Protects sample system from liquid and particulates
 - Achieves natural gas standards compliance
- Eliminates the need for:
 - Line depressurization
 - Multiple probes (spot or portable sampling)

Features

- Field proven and patented:
 - Genie[®] Membrane Tip Technology[™]
 - Pressure Balance[™] Technique
 - Harmonic resonance during dampening
- Lightweight and portable with fingertip insertion
- Insertion depth scale and magnetic indicator ring
- Flow restrictor and manifold for spot sampling
- Analytically Correct[™] design



Model Numbering & Additional Part Numbers

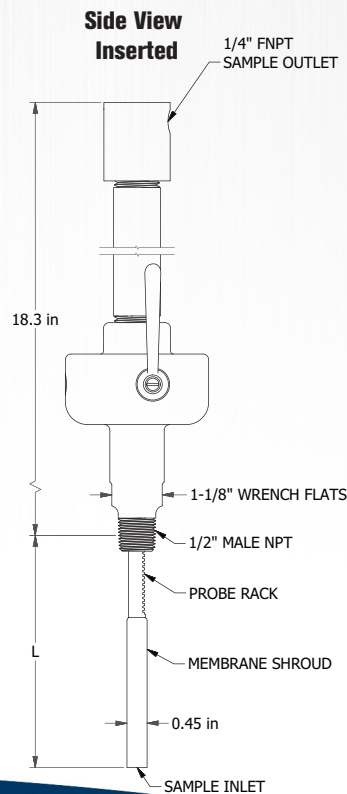
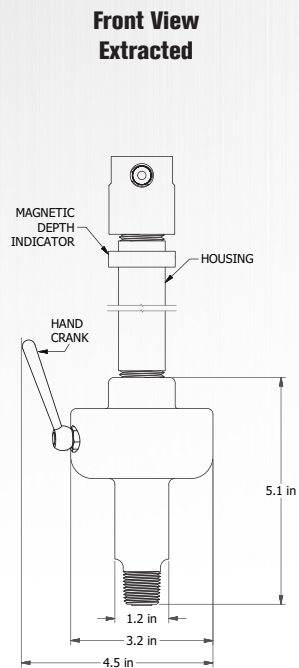
Your model number is determined by your specific needs. Choose options below.

Sealing material	7 = Neoprene rubber	J = RGD resistant HNBR	(other materials available upon request)
Membrane type	6 = Rejects ALL types of liquids from vapor		(other membrane types available upon request)
Flow restrictor	Part # ACC-SS-4-SA-EA (1/4" MNPT x 1/4" FNPT)		
Spot sampling manifold	Part # 701-ACC-8111		
Complete membrane assembly	Part # 701-CMA-576(square body) or Part # 701-2CMA-576 (current round body)		

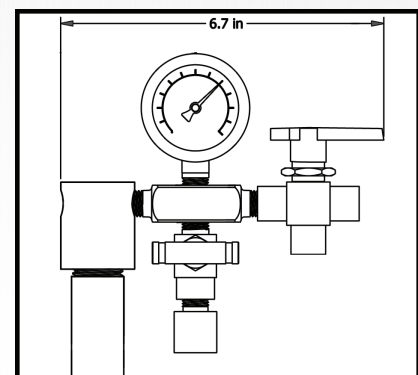
How to build the model number:



Dimensions



701 Spot Sampling Manifold Option



Analytically Correct™ sample systems, sample conditioning components, and revolutionary gas and liquid sampling technology.



4, rue des Roses - 69280 SAINTE-CONSORCE - France
Tel: +33 478 878 945 - info@soclema.com - www.soclema.com