



GENIE[®] 225

Membrane Separator



The original brand known for sample conditioning and analyzer protection!

The Supreme 200 Series™ remove 100% of suspended, immiscible liquids in liquid hydrocarbon samples, which allow only hydrocarbon liquid sample to flow to an analyzer. This action protects analyzers against damage to analyzers and sample system components. The Genie[®] Supreme Series 200 models can accommodate a wide range of applications just as the original Genie[®] Series 200 membrane separators, yet they offer an improved housing design for easy maintenance. Genie[®] Supreme Series Membrane Separators™ are safe and easy to install and maintain, especially in heated, densely populated cabinets.

The Model 225 protects liquid hydrocarbon systems from water, caustic, sulfuric acid or other immiscible liquids where the operating pressure does not exceed 2000 psig. Ideal for high-pressure applications, it also removes absorbed gases, gas bubbles, or volatile organic carbon (VOC) compounds from water sample at the same pressure rating. This model has the same design as both the original Genie[®] Model 205 and Model 205HP, except it includes a standard screw off cover to allow easier membrane maintenance.

Technical Specifications

| | |
|--|---|
| Maximum pressure rating | 2,000 psig (137.9 barg) |
| Maximum temperature | 300 °F (149 °C)* * Actual limit depends on sealing material chosen. Refer to Temperature Range Comparison Chart. |
| Maximum recommended membrane flow rate For higher flow rates contact the factory | 150 cc/min in Diesel* 200 cc/min in Kerosene* 450 cc/min in Gasoline* *Maximum flow results in approximately 10 psi membrane differential pressure |
| Port sizes | Inlet, Outlet, & Bypass: 1/4" female NPT |
| Internal volume | Total: 12 cc Upstream of membrane: 7.7 cc Downstream of membrane: 4.3 cc |
| Wetted materials | Machined parts: 316/316L stainless steel / ISO 15156-3 compliant All other metal parts: stainless steel / ISO 15156-3 compliant Sealing material: User defined Membrane: Inert |

Product Brief

Applications

- Allows for continuous liquid sampling in any process industry including natural gas, petrochemical, and oil refining.
- Analyzer protection against immiscible liquids
- Liquid sample conditioning

Benefits

- Superior analyzer protection
- Helps preserve sample integrity
- Safe and easy to install and maintain, especially in heated, densely populated cabinets
- Extended membrane service life
- Quick and easy membrane inspection
- Economical

Features

- Genie[®] Membrane Technology™
- Low internal volume
- Straight through Bypass
- Threaded housing cover
- All connection ports on the housing
- Back mounting

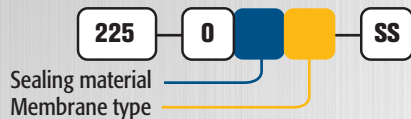


Model Numbering & Additional Part Numbers

Your model number is determined by your specific needs. Choose options below.

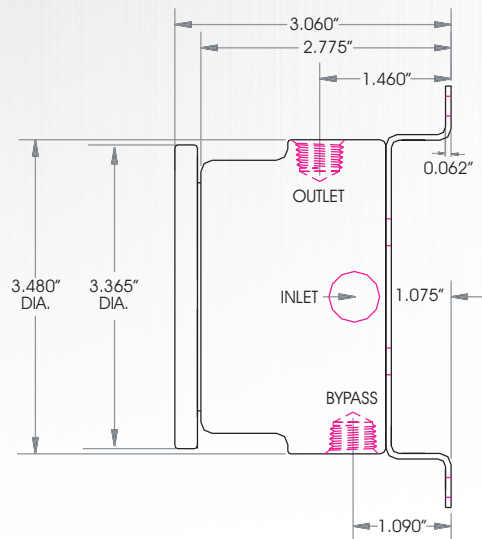
| | | |
|-----------------------------------|-----------------------------------|---|
| Sealing material | 0 = fluoroelastomer | (other materials available upon request) |
| Membrane type | 8 = Liquid/Liquid Backed membrane | (consult the factory if composition contains Xylene.) |
| Mounting bracket accessory | Part # 225-509-SS | (sold separately) |
| O-ring replacement | Part # 225-500 | (sold separately) |
| Membrane replacement | Part # 225-5X8 | (contains 5 membranes per kit)(sold separately) |

How to build the model number:

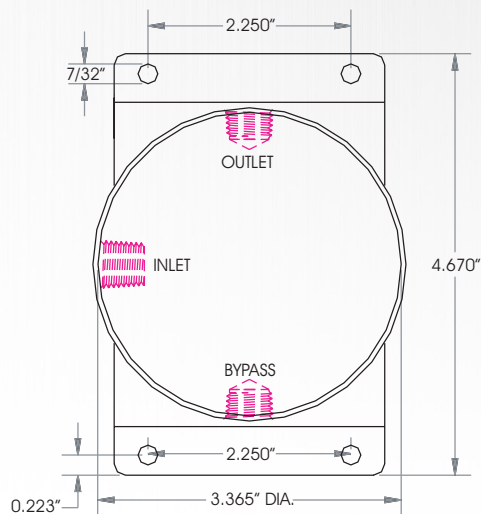


Dimensions

Side View



Front View



Analytically Correct™ sample systems, sample conditioning components, and revolutionary gas and liquid sampling technology.



SOCLEMA
Advanced Industrial Sampling

4, rue des Roses - 69280 SAINTE-CONSORCE - France
Tel: +33 478 878 945 - info@soclema.com - www.soclema.com