

AVENGER™ 91

Particulate & Coalescing Filter

High performance filters providing the utmost flexibility for coalescing/particulate filtration needs!

The Avenger™ 91 Filters provide the utmost in flexibility for your coalescing and particulate filtration needs. The conventional 3-port model is a direct replacement for competitive vertically mounted sample filters. However, the 5-port model, with its two different porting configurations allows for greater mounting and application flexibility. These filters were specifically designed for analyzer sample conditioning applications by analyzer sample conditioning specialists.



Technical Specifications

Maximum pressure rating	3,750 psig (258.6 barg)
Maximum temperature	300°F (149°C) * Actual limit depends on sealing material chosen. Refer to Temperature Range Comparison Chart.
Element size	Outside Diameter: ~ 0.85" Inside Diameter: ~ 0.5" Length: ~ 2.3"
Element types	07CFS = coalescer fluorocarbon (99.97%*) 07PI = particulate inorganic (99.97%*) 07PF = particulate fluorocarbon (99.97%*) SS10A = sintered stainless steel (10 micron) SS100A = sintered stainless steel (100 micron) *% of 0.1 micron particles retained
Port sizes	1/4" female NPT
Number of ports	3 or 5
Internal volume	27 cc
Wetted materials	Machined parts: 316/316L stainless steel / ISO 15156-3 compliant All other metal parts: stainless steel / ISO 15156-3 compliant Sealing material: User Defined

Product Brief

Applications

- Continuous sampling in any process industry including natural gas, petrochemical, and oil refining.
- Analyzer protection against micron and sub-micron particles

Benefits

- Helps preserve sample integrity
- Analyzer protection
- Quick and easy to install and maintain
- Quick and easy element inspection
- Economical
- Flexible installation configuration

Features

- 3 or 5 port configuration
- Can be mounted horizontally or vertically
- All primary connection ports on the head

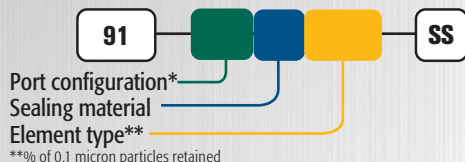


Model Numbering & Additional Part Numbers

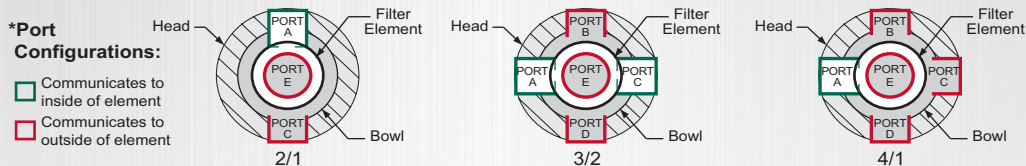
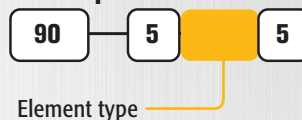
Your model number is determined by your specific needs. Choose options below.

Port configuration*	2/1 = 3 port (2 outer, 1 center)	4/1 = 5 port (4 outer, 1 center)	3/2 = 5 port (3 outer, 2 center)
Sealing material	0 = Fluoroelastomer	1 = Perfluoroelastomer	(other materials available upon request)
Element type**	07CFS = coalescer fluorocarbon (99.97%**)	SS10A = sintered stainless steel (10 micron)	SS100A = sintered stainless steel (100 micron)
	07PI = particulate inorganic (99.97%**)	XX = no element	
Mounting bracket accessory	Vertical part # = 90-509-SS-V	Horizontal part # = 90-509-SS-H	

How to build the model number:

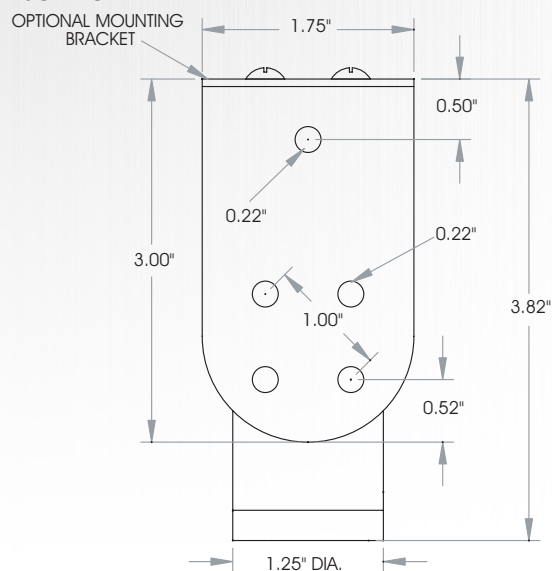


How to build the replacement filter element number:

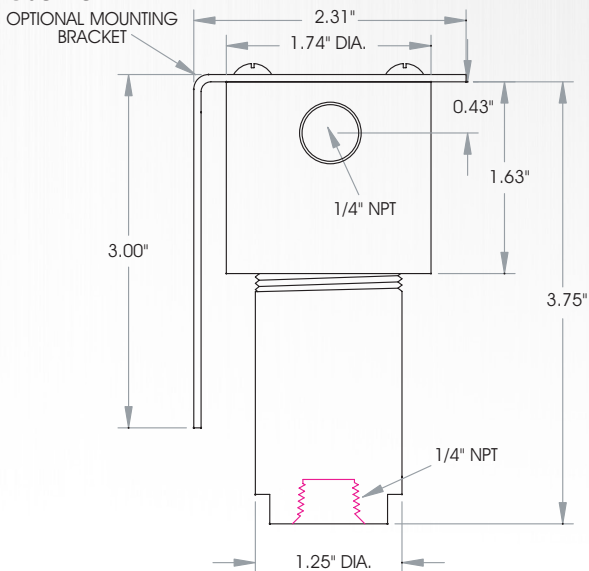


Dimensions

Back View



Side View



Analytically Correct™ sample systems, sample conditioning components, and revolutionary gas and liquid sampling technology.

Contact us for expert product application assistance.

1.225.644.5255

sales@geniefilters.com

geniefilters.com

41041 Black Bayou Road, Gonzales, Louisiana 70737

