



Genie® Regulator™ Installation & Operation Instructions

Manufacturing Contact Information

A+ Corporation, LLC *Call for expert product application assistance:*
41041 Black Bayou Rd. Phone: (225)-644-5255 Website: www.geniefilters.com
Gonzales, LA 70737 Fax: (225)-644-3975 E-mail: sales@geniefilters.com

Safety Warnings

- ⚠ Failure to abide by any of the safety warnings below will result in release of fluid at full pipeline pressure and could result in serious injury or death.
 - ▶ Do not exceed any equipment pressure ratings.
 - ▶ Not designed for external fire.
 - ▶ Prior to use in a system, a properly sized relief device is to be installed which limits the use to 110% of the MAWP.
 - ▶ **Do not use the regulator as a shut off device**

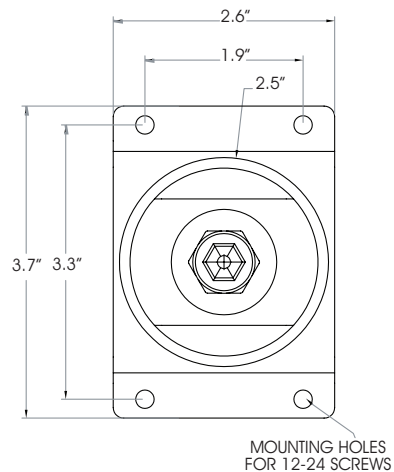
Single Stage Pressure Regulation - Technical Specifications

Technical Specifications

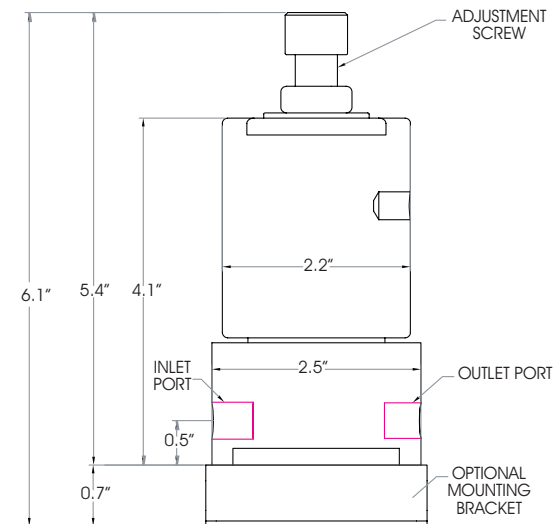
Maximum pressure rating	6000 psig (413.7 barg)
Temperature range	-40°F (-40°C) to 300°F (149°C) * Actual limit depends on sealing material chosen. Refer to Temperature Range Comparison Chart.
Port sizes	1/4" female NPT
C_v coefficient	0.023
Outlet pressure range (psig)	0-10 psig (0-0.7 barg), 0-25 psig (0-1.7 barg), 0-50 psig (0-3.4 barg), 0-100 psig (0-6.9 barg), 0-250 psig (0-17.2 barg), 0-500 psig (34.5 barg)
Wetted materials	Machined parts: 316/316L stainless steel / NACE compliant All other metal parts: stainless steel / NACE compliant Regulator seat material: PFA Sealing material: User defined

Dimensions

Top View



Side View



Installation Instructions

Step 1. Depressurize the system

- ▶ Valve off the sample flow prior to installation of the **Genie[®] Regulator[™]**

Step 2. Connect the Genie[®] Pressure Regulator

- ▶ The Genie inlet and outlet ports are labeled. Connect tubing from the sample stream to the Genie Inlet port. Connect tubing from the Genie Outlet port to the next device in the sample system.
- ▶ - The Genie port that is not labeled is an atmospheric reference port for the regulator. It is threaded so that optional tubing can be connected to this port to enable a “captured vent” if so required; however, this port should NOT be plugged or the performance of the regulator will be affected.

Step 3. Adjust pressure

- ▶ At this point the sample pressure can be adjusted to the desired value. To raise the outlet pressure turn the pressure adjustment screw clockwise. To lower the outlet pressure turn the pressure adjustment screw counterclockwise while gas is flowing through the regulator.
- ▶ To allow sample flow, slowly open external valving.
- ▶ At high supply pressure, a sudden change may be observed on the downstream pressure gauge as the valve stem moves away from the seat. Slight re-adjustments may be necessary until the pressure and flow have equilibrated.
- ▶ Tighten the pressure adjustment screw lock nut firmly against the washer to prevent unintended changes in pressure adjustment.

Model Numbering & Additional Part Numbers

Model Numbering & Additional Part Numbers

Your model number is determined by your specific needs. Choose options below.

Sealing material	0 = Fluoroelastomer	JW = RGD resistant HNBR	<i>(other materials available upon request)</i>			
Outlet pressure range (psig)	0 = 0-25	1 = 0-50	2 = 0-100	3 = 0-250	4 = 0-500	9 = 0-10

How to build the model number:



Spare Parts & Accessories (sold separately)

- Model GR Mounting Bracket - Part # GR-509-SS
- Kozy Insulated Cover - Part # KZ-10-L
- Manifold with pressure gauge, ball valve, & relief valve - for ordering information, refer to the Genie[®] Probe Regulator Accessory Manifold product sheet
- Inlet filter replacement - Part # GR-5FSS
- Seat & Seal replacement kit - Seat, Valve Stem, Bias Spring & O-Rings



4, rue des Roses - 69280 SAINTE-CONSORCE - France
Tel: +33 478 878 945 - info@soclema.com - www.soclema.com



An ISO 9001:2008 certified company